

# Balanced Armature Driver



Premium Audio

RAU-34832-B148

Balanced Armature Supertweeter

## Features

- . Best in class treble performance for audiophile & professional in-ear monitors
- . Supports Hi-Res Audio Wireless for TWS earphones
- . Easy to drive; no transformer or high voltage amplifier required
- . Higher treble output in a fraction of the volume of electrostatic tweeters
- . RoHS compliant



## Typical Performance at 10kHz

Impedance	14	Ohms
Sensitivity to 100mV	103	dB SPL
Max SPL <sup>a</sup>	122	dB SPL
THD at 94dB SPL <sup>b</sup>	0.3	%
THD at 100dB SPL <sup>b</sup>	0.3	%

a) SPL at 10% THD at 10kHz

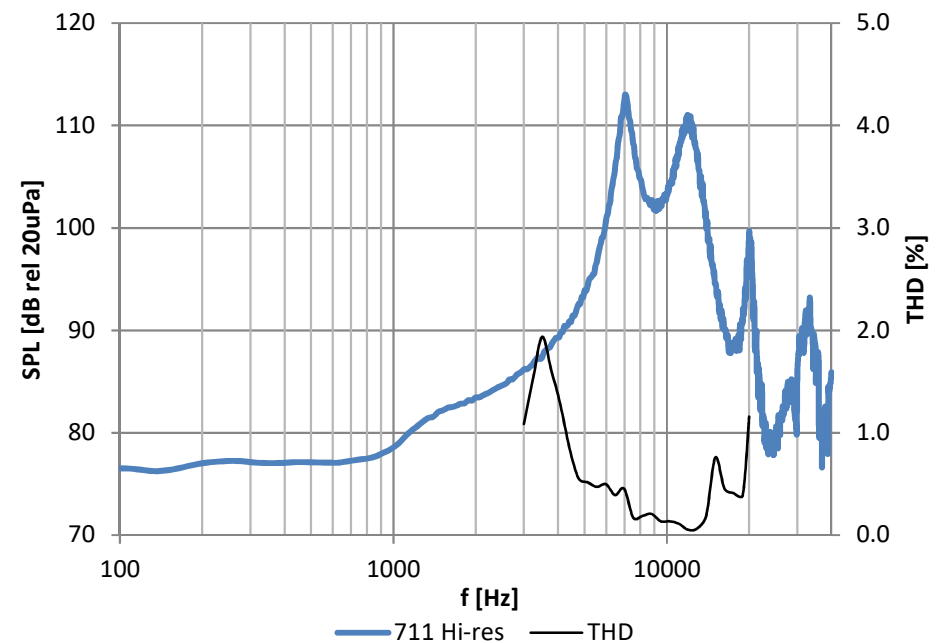
b) THD at 10kHz

## Testing Condition

using 100mV rms drive signal

- 711 Hi-RES GRAS 403
- THD

## Frequency Response and THD

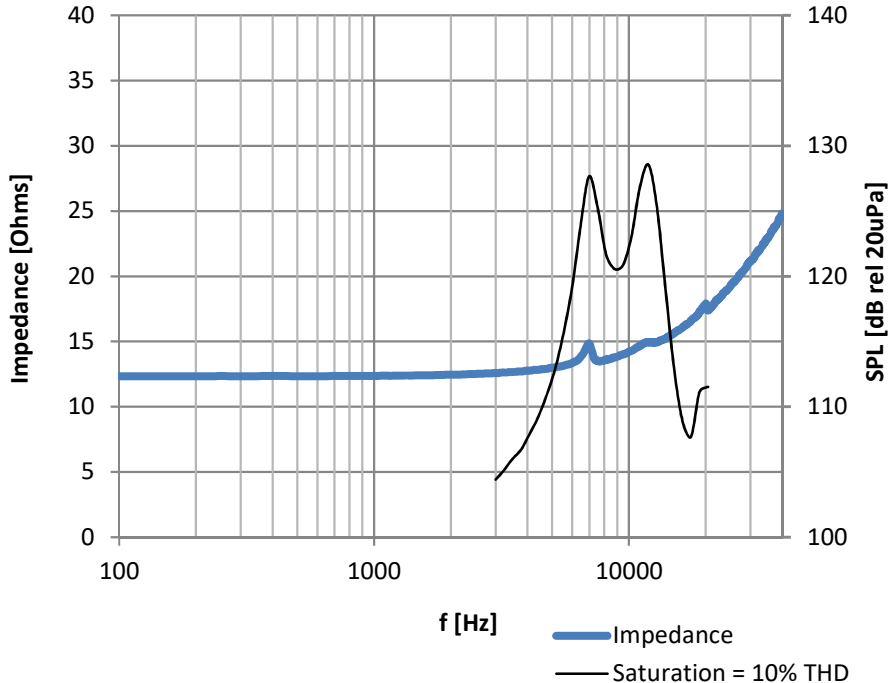


# Balanced Armature Driver

RAU-34832-B148

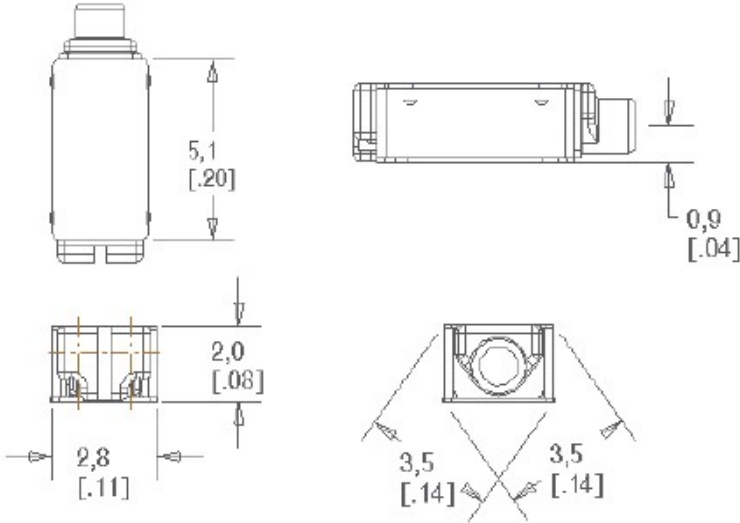
Balanced Armature Supertweeter

## Impedance and Saturation SPL



## Outline Drawing

mm (inches)



## Notes

- Ask about custom assembly options (lead wires, customer-specified materials, etc.)
- To prevent heat damage, follow soldering guidelines in application note AN13 (knowles.com)
- Measurement data for reference only. Refer to model specification for full dimensions and performance.